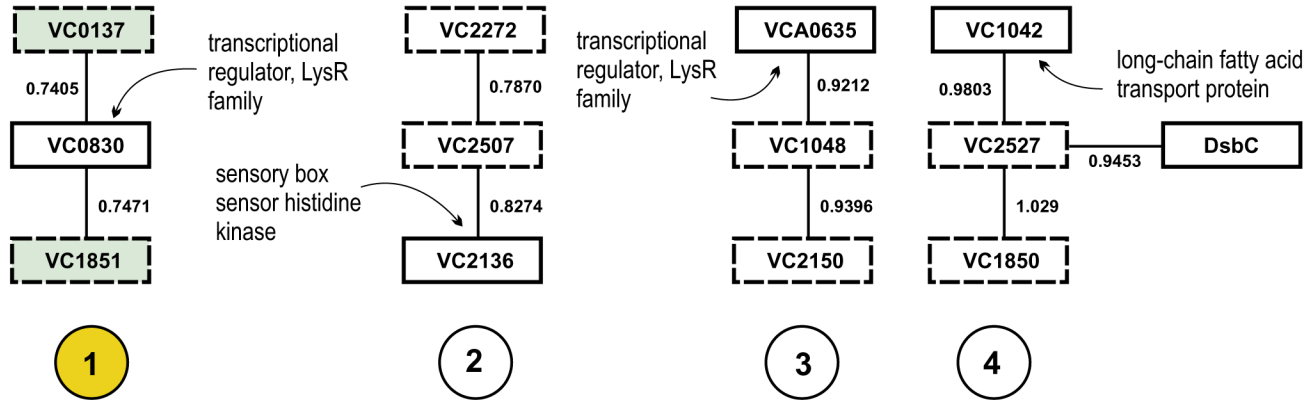
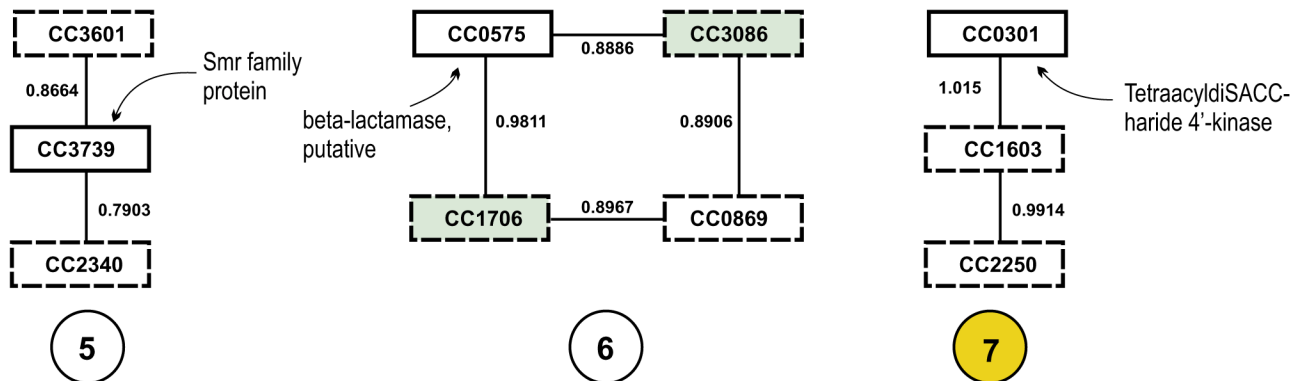


Supplementary Figure 1 27 cluster cores are described from 4 organisms. Each core contains at least 3 proteins, of which >50% are uncharacterized. Several cores have been extended as described in the paper. Colored boxes represent homologs, filled circles represent clusters described in the paper.

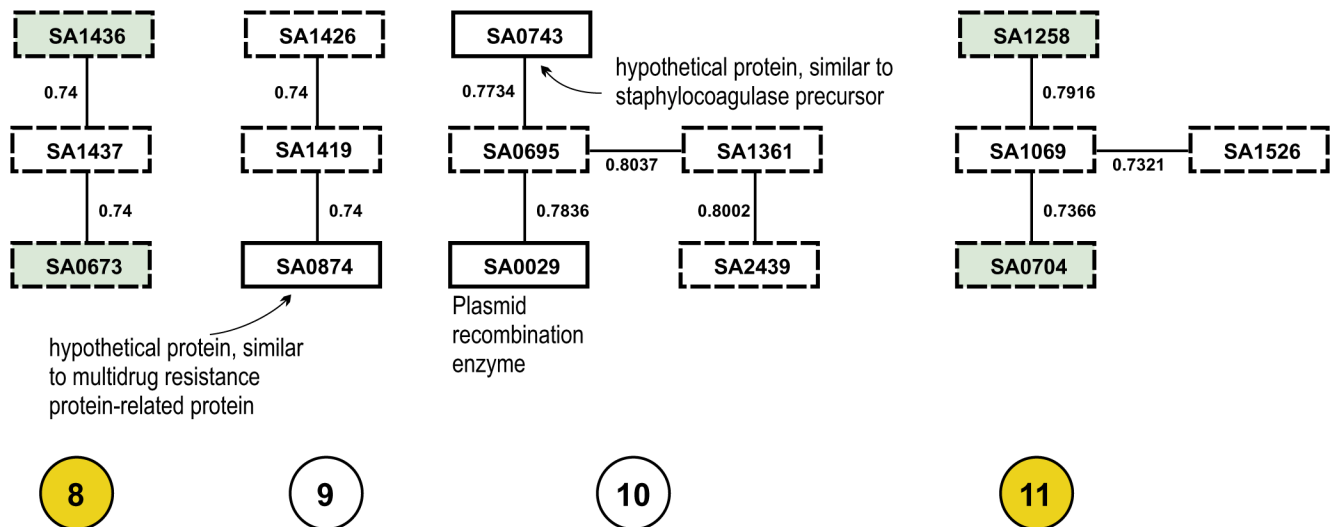
Set A: *V.cholerae*



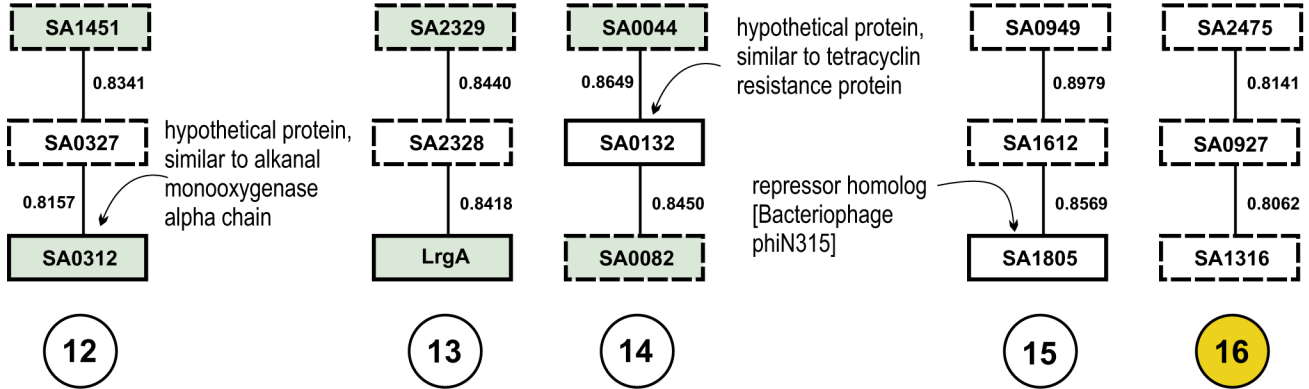
Set B: *C.crescentus*



Set C: *S.aureus*



Set C: *S. aureus* [cont.]



Set D: *P. aeruginosa*

